

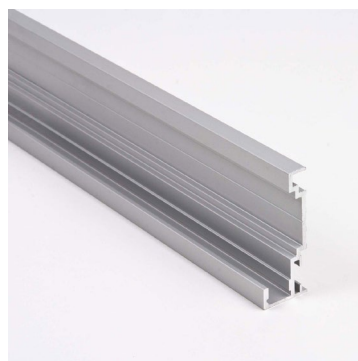
raumplus SPECIFICATION SHEET - Swing Door – Swing Slim Line

JOB NO:
PROJECT:
LOCATION:


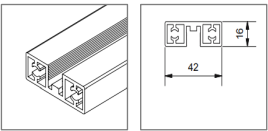
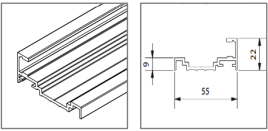
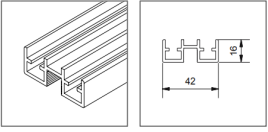
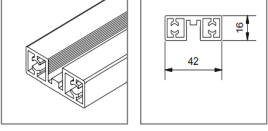
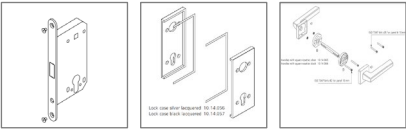
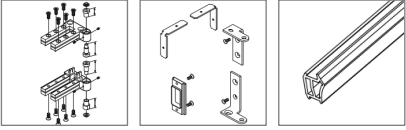
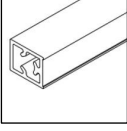
DATE:
VERSION:
CODE:

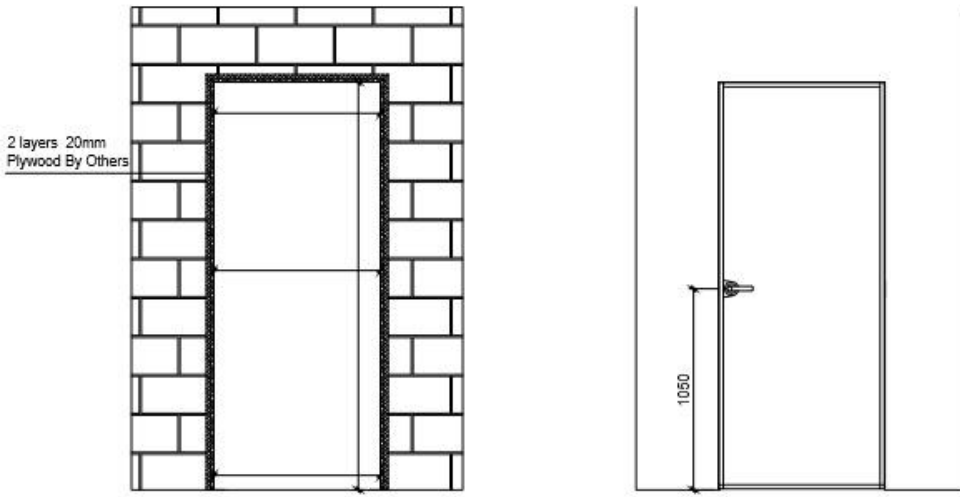
MODEL NO.:	Swing Slim Line	SUPPLIER:	iLiving Co Ltd
BRAND:	raumplus GMBH	CONTACT:	Mr Michael Fung
DESCRIPTION:	Swing Slim Line	PHONE:	(852) 2832-7878
FINISH:	anodised aluminum / anodised black	EMAIL_1:	michaelfung@iLiving.hk
COLOUR:	alu silver / anodised black	EMAIL_2:	project.iLiving@gmail.com
ORIGIN:	Made in EU	ADDRESS:	Room 903, 9/F, C C Wu BLDG, 302-308 Hennessy Road, Wan Chai. HK

SIZE/THICKNESS: min./max. door width = 600mm-975mm; door height = 700mm-2478mm; 42mm thickness
IMAGE/SAMPLE:

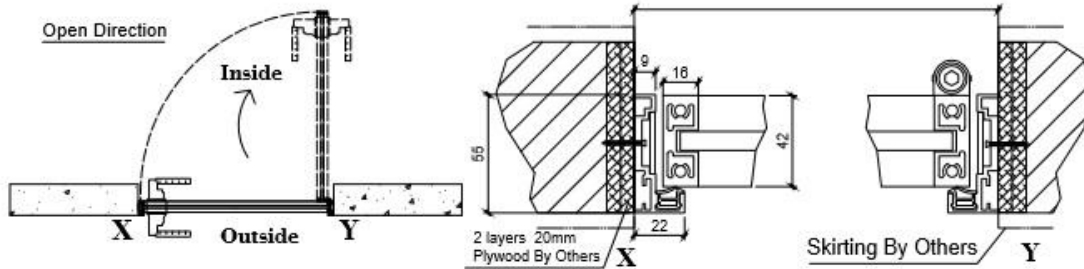


Supply swing door with alu silver /anodised black aluminum frames (stiles);
 Panel (laminated, MFC, MDF) to be provided by others, maximum 10mm thickness,
 Panel (glass) to be provided by others, maximum 8mm thickness (equip with relevant gasket),
 and all necessary ramplus parts and other accessories as per Specification.

	Descriptions	Material Specifications	Country of Origin	
1	Brand	raumplus	Germany	
2	Model	Swing Slim Line	Made in EU	
3	Door jamb	Anodised aluminum; anodised black	Made in EU	
4	Top and bottom rail	Anodised aluminum; anodised black	Made in EU	
5	Swing Slim stile	Anodised aluminum; anodized black; front face = 16mm side width = 42mm	Made in EU	
6	Panel	To be provided by Others	-	-
7	Handle with magnetic lock	Magnetic lock; Case for magnetic lock; Handles with square rosettes	Made in EU	
8	Necessary ramplus component part	180 Hinge hardware set; 180 Hinge fitting set; Gasket for door stop	Made in EU	
9	Optional ramplus component parts	Dividing rail [vertical / horizontal]	Made in EU	

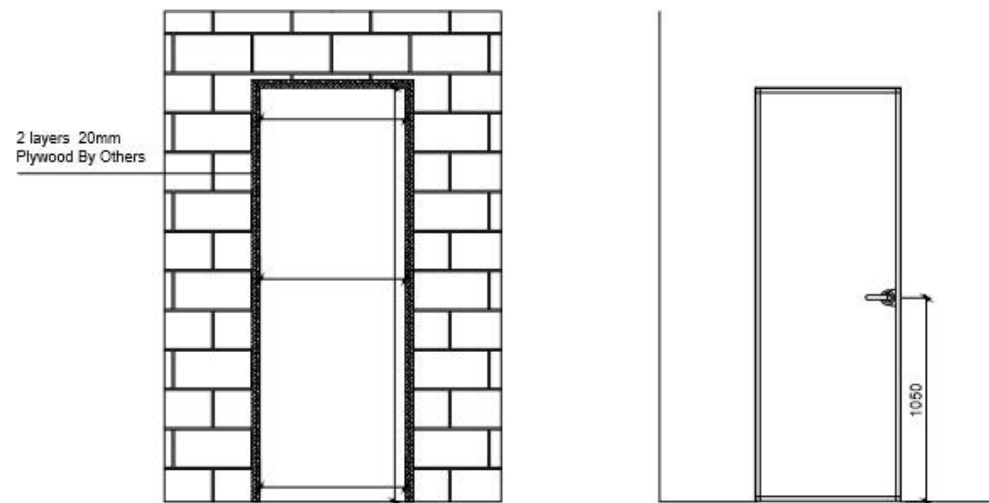


ELEVATION PLAN

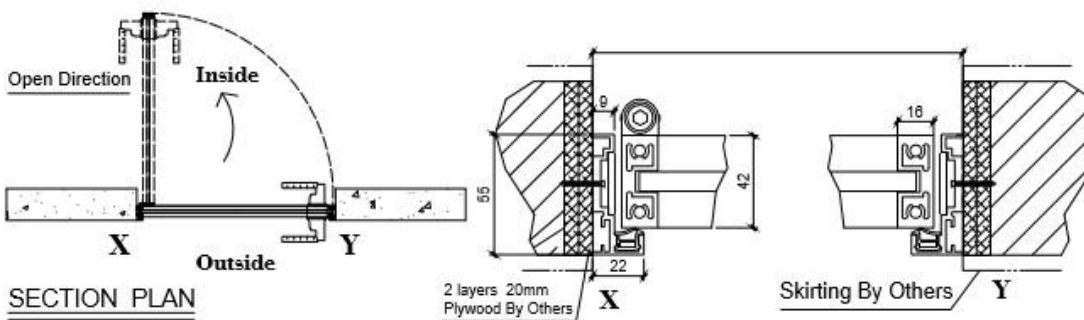


SECTION PLAN

DETAIL SECTION -OPEN DIRECTION_LEFT

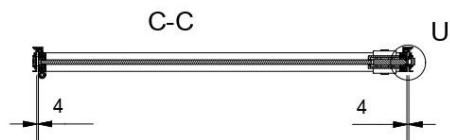
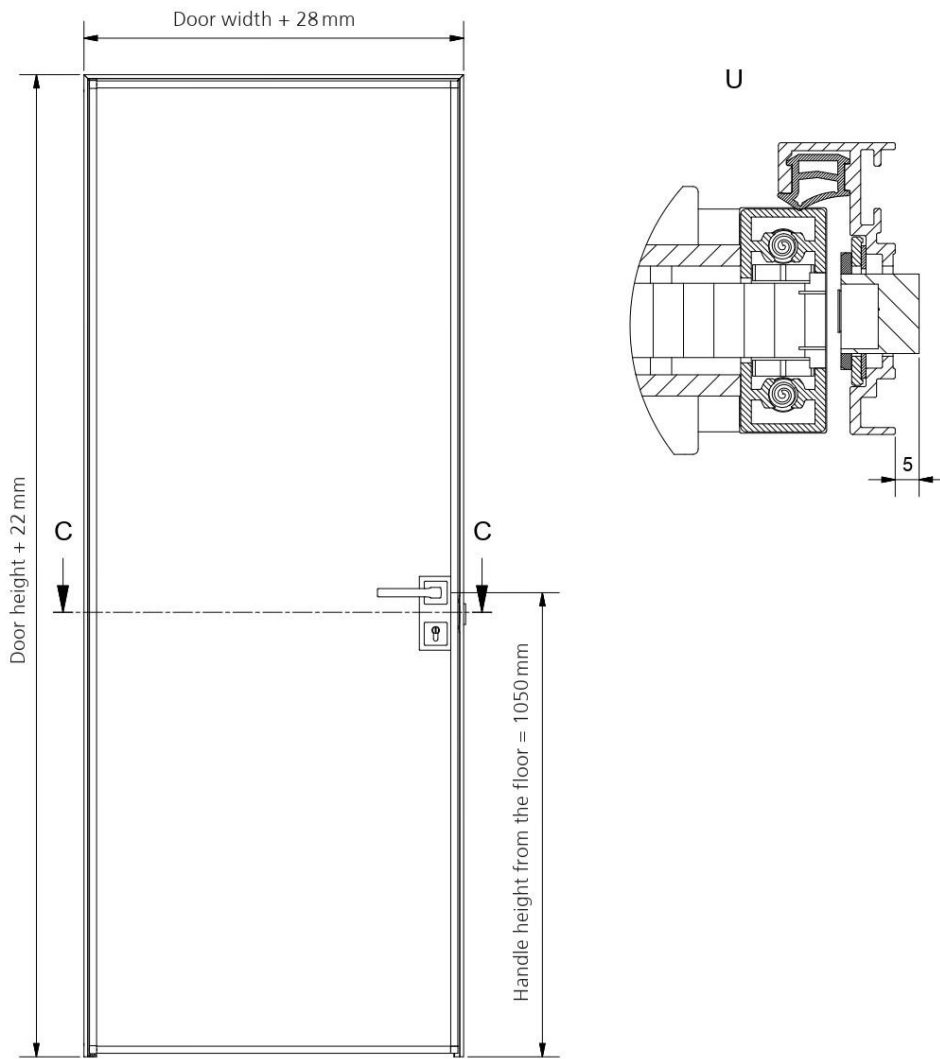


ELEVATION PLAN

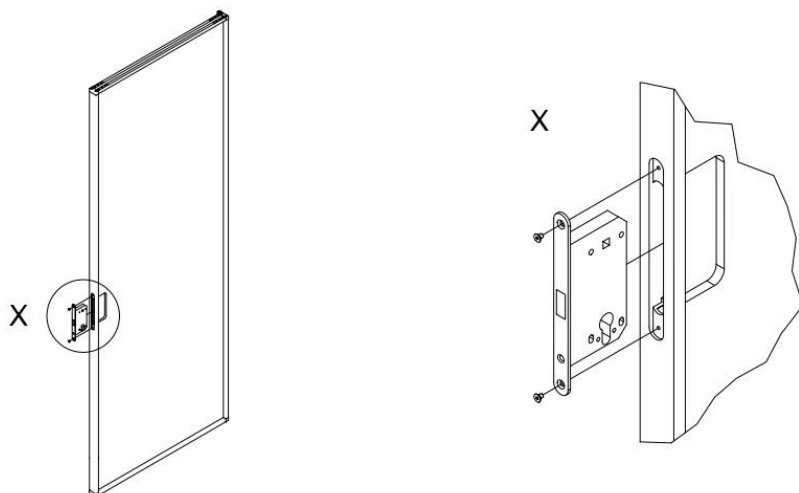


SECTION PLAN

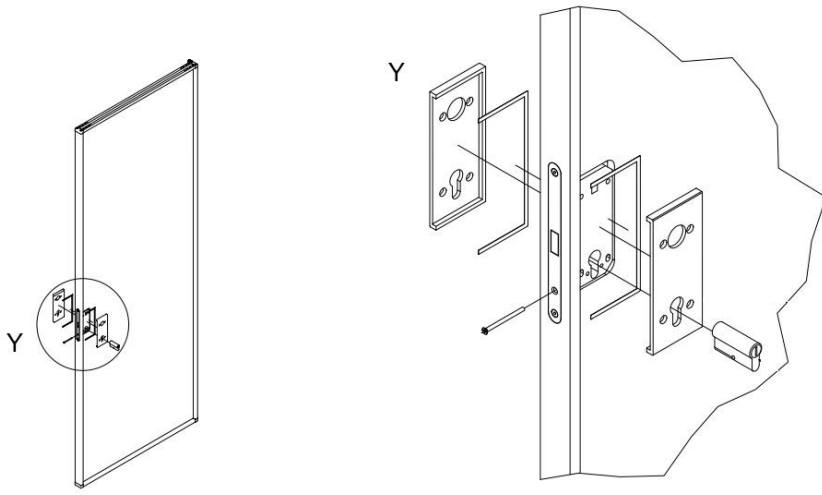
DETAIL SECTION -OPEN DIRECTION_RIGHT



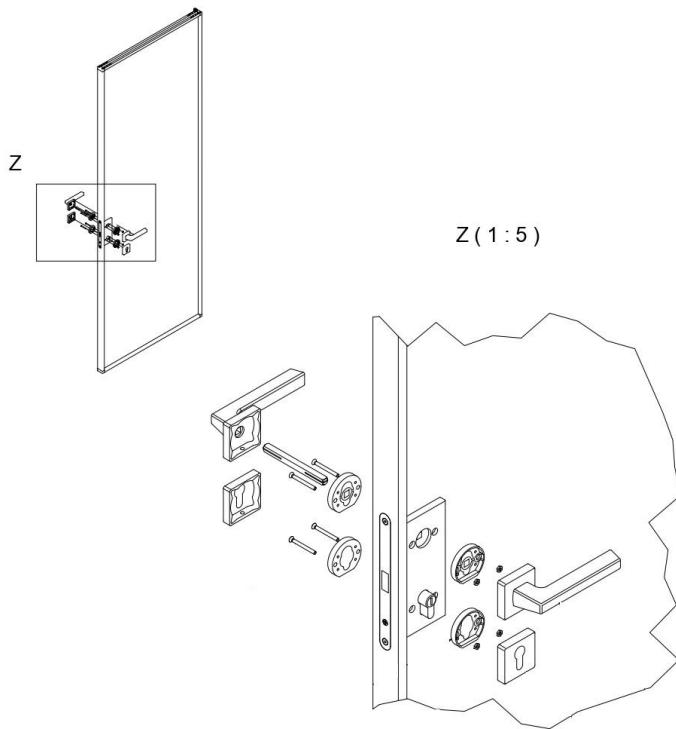
OVERALL VIEW-DOOR & DOOR JAMB



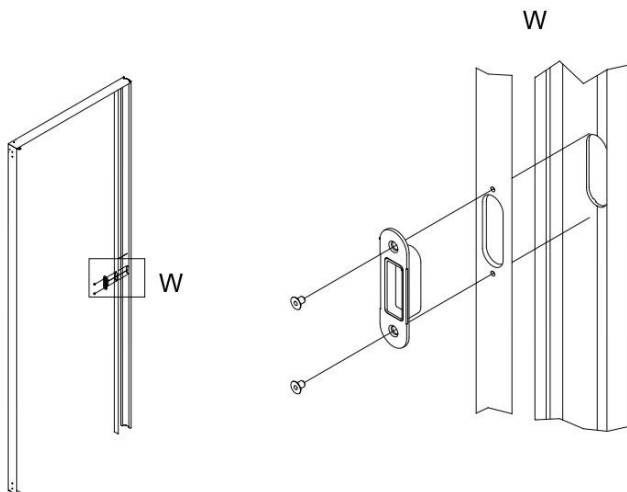
EXPLODED DRAWING_MAGNETIC LOCK



EXPLODED DRAWING_LOCK CASE



EXPLODED DRAWING_HANDLES



EXPLODED DRAWING_FRAME AND LOCKING PLATE